



FWOE70

SPECIFICATIONS



Heavy Duty Fifth Wheel

34000 kg Vertical Load
165 kN D-Value - 2" Version
240 kN D-Value - 3.5" Version

Type Approval Pending


FEATURES OF THE FWOE70

- Heavy Duty Fifth Wheel for general on- and off-road applications where higher capacities are required.
- Available with Locks for 3.5" and 2" Kingpins.
- High strength cast steel construction, minimum operating temperature -40°C.
- Forged, heat treated steel locks, for maximum strength and durability.
- Manufactured in accordance with DIN 74081 and DIN 74084 standards.



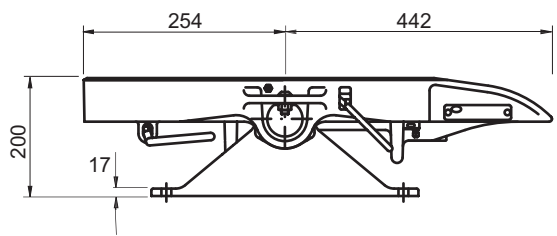
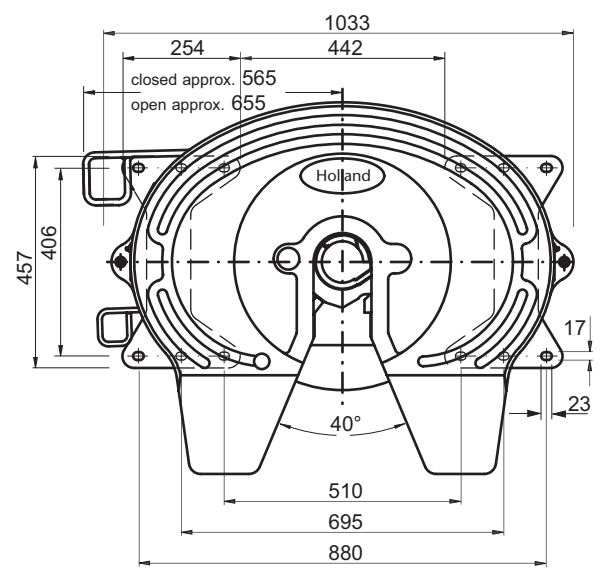
WARNING

The load limits given are valid for operation on paved roads and under conditions prevailing in Europe. For alternative conditions please consult Holland Europe



WARNING

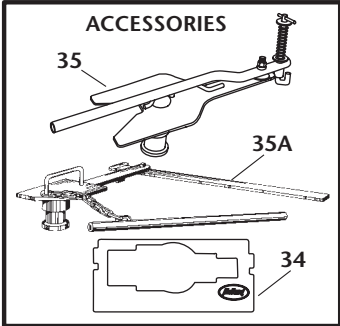
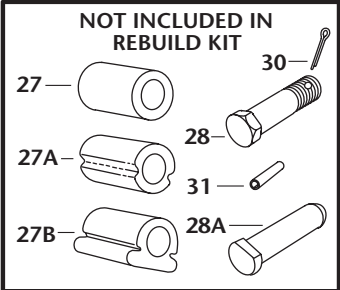
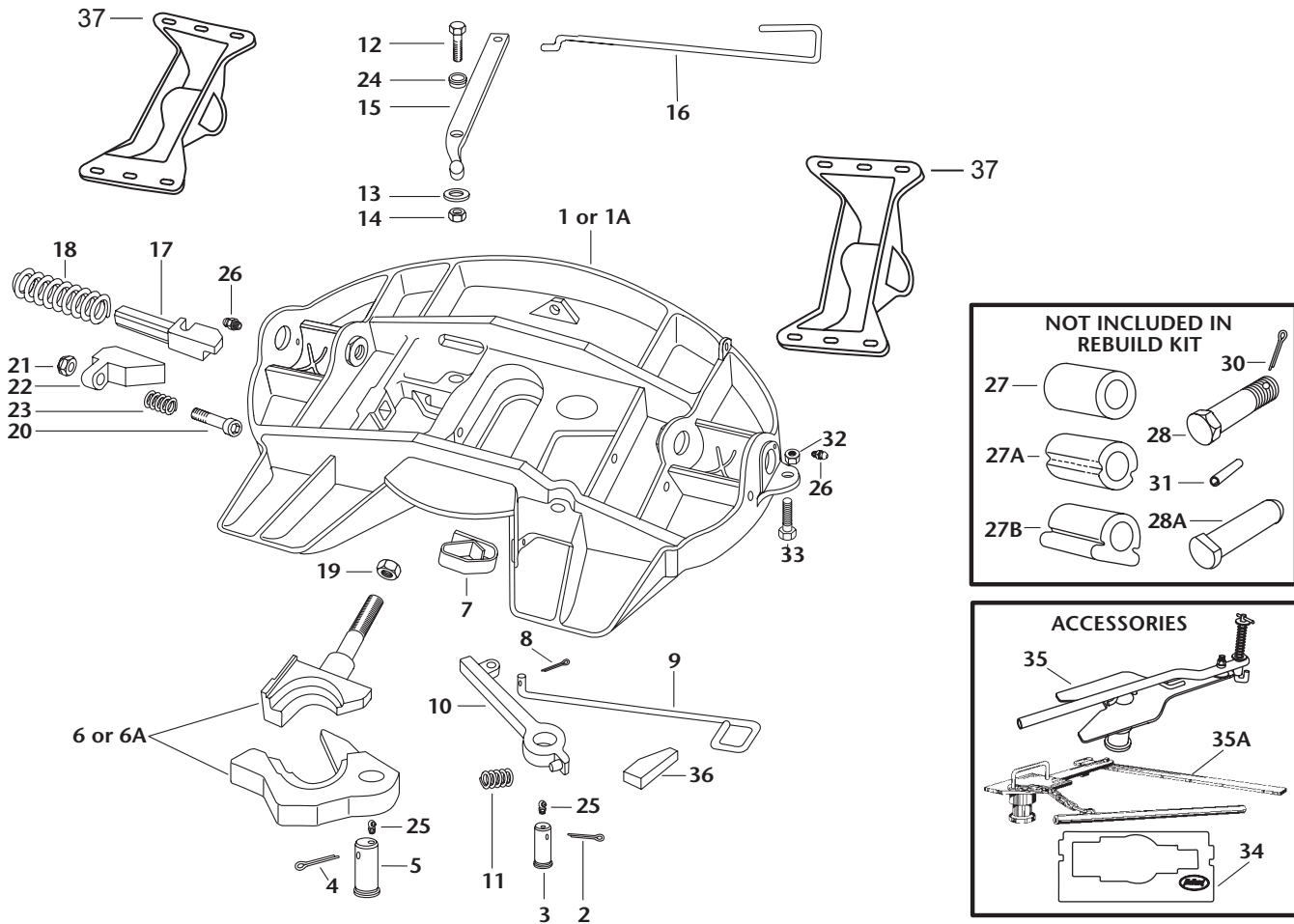
Mounting must be carried out in accordance with Holland instructions



Part Number	Height	Vertical Load	D-Value	Weight	Locks
FWOE70-03	top plate only	34000 kg	240 kN	148 kg	3.5"
FWOE70-02	top plate only	34000 kg	165 kN	148 kg	2"
FWOE70-06119	200 mm	34000 kg	240 kN	184 kg	3.5"
FWOE70-06119-2	200 mm	34000 kg	165 kN	184 kg	2"

Holland Europe reserves the right, without prior notice, to change specifications and dimensions.

FWOE70 FIFTH WHEEL - SPARE PARTS



ITEM	PART NO.	QTY	DESCRIPTION	ITEM	PART NO.	QTY	DESCRIPTION
1	-71- -E	1	F t eel plate o 2" kngp n	20	-09407	1	o ket ead ap e
1	-71- -E	1	F t eel plate o 3.5" kngp n	21	-09174	1	o k n t 5 8" - 11
2	-5	1	otte p n 1 4" 2"	22	-3123-1	1	d tng edge
3	-1016-	1	o k p n	23	-403	1	ompe on p ng
4	- -60	1	otte p n 1 4" 2.5"	24	-02949	1	ng
5	-FW-108-	1	o k p n	25	-0769	2	e ttng 90
6	-FW-104-	1	o k et o 2" kngp n	26	-H-38	2	e ttng
6	-FW-104-03	1	o k et o 3.5" kngp n	27	-1604-9	2	ng p o to 5 82
7	-FW-128	1	p ng	27	-0012-1	2	ng 5 82 - 9 87
8	-16	1	otte p n 1 8" 1"	27	-0012-3	2	ng ate 9 87
9	-FW-78	1	e onda y lo k ele e andle	28	-2632	2	ot olt p o to 11 86
10	-FW-137-2	1	e onda y lo k a m	28	E-02759	2	ot p n ate 11 86
11	-1028-2	1	p ng	29	- -9N-2	2	N t p o to 11 86
12	-2083	1	He d. olt 1 2" - 20 1.75"	30	- -60	2	otte p n p o to 11 86
13	- -49	1	lan a e	31	-21- -375-1750	2	oll p n
14	- -69-	1	He lo k n t	32	32001	2	He lo k n t
15	-1005-FH	1	ele e le e	33	31041	2	olt
16	-1117-H	1	ele e andle	34	F-0110	1	ngp n gage
17	-1104	1	l nge	35	F- N-5001	1	2" kngp n lo k te te
18	-1007	1	ompe on p ng ed	35	F- N-1500	1	3.5" kngp n lo k te te
19	-04473	1	am n t 1" - 14	36	-05768-1	1	d tng lo k
	-65024		o k epa kt 2"	37	-05518	2	a ket o 200 mm He g t
	-65024-1		o k epa kt 3.5"		-65014		F llo e a l k t 2"
					-65015		F llo e a l k t 3.5"

Not n l ded n e l d t

Copyright © May 2002 • The Holland Group Inc.



The Holland Group, Inc.
 Holland, MI 49423
 United States
 Phone: (616) 396-6501
 Fax: (616) 396-1511

Holland (Europe) Ltd.
 314 Oak Drive
 Hartlebury Trading Estate
 Hartlebury
 Worcestershire, DY10 4JB
 United Kingdom
 Phone: +44 (0) 1299-254400
 Fax: +44 (0) 1299-251664



Holland Europe GmbH
 Altenkamp 9
 D-33758
 Schloss Holte-Stukenbrock
 Germany
 Phone: +49 (0) 5207-89560
 Fax: +49 (0) 5207-895656



Holland Hitch (Aust.) Pty. Ltd.
 Melton, Victoria, Australia
 Phone: 61-(0)3-9743-6799
 Fax: 61-(0)3-9747-9617

Holland Transtrade
 (Thailand) Company, Ltd.
 Bangkok, Thailand
 Phone: 66 (0)2-513-8758
 Fax: 66 (0)2-513-8757

Nippon Holland, Ltd.
 Tokyo, Japan
 Phone: 81-(0)3-3461-9130
 Fax: 81-(0)3-3463-1407

Holland Transtrade
 Far East SDN BHD
 Shah Alam, Malaysia
 Phone: 60 (0)3 734-2888
 Fax: 60 (0)3 736-5588