



# FW17EK

## FW17EK SPECIFICATIONS



### NoLube Fifth Wheel

65000 kg Gross Combination Weight  
20000 kg Vertical Load

Type Approval e11\*94/20\*0052  
D-Value 150 kN

### FEATURES

- All lock system components are protected with a low friction coating providing long wear life and superior corrosion protection
- Thin walled steel casting and heat treating process gives exceptional performance and outstanding fatigue characteristics along with a 23% reduction in weight
- Patented surface alloy on the king pin contact surfaces of the lock jaws provides lubrication-free operation, high wear resistance and eliminates the need to grease the locks
- Operating handle fitted with automatic secondary locking device, eliminating the need for a clip and chain
- Suitable for all types of rear axle steering



### WARNING

Mounting must be carried out in accordance with Holland instructions

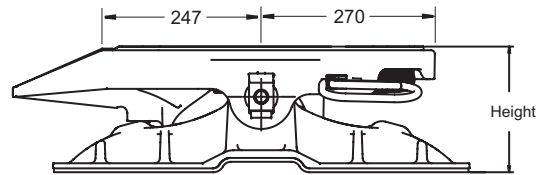


### WARNING

The load limits given are valid for operation on paved roads and under conditions prevailing in Europe. For alternative conditions please consult Holland

### LIGHTWEIGHT BRACKET MOUNT

Lightweight bracket system giving the lightest fifth wheel installation weight available

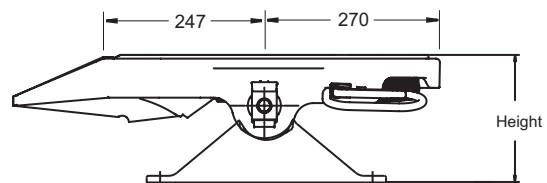


Part Number*	Height	Weight
FW17EK-DM-200	199mm	142 kg

WEIGHTSAVER MOUNTING (Not Shown)		
FW17EK-W(*)-150	151mm	134 kg
FW17EK-W(*)-175	175mm	136 kg
FW17EK-W(*)-200	200mm	139 kg
FW17EK-W(*)-240	238mm	143 kg

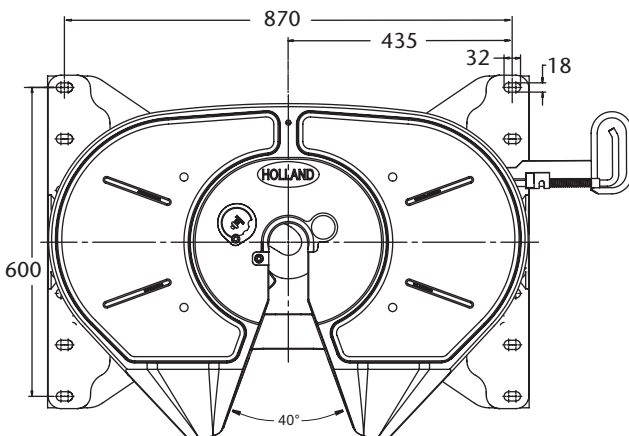
(\*) - Width of weightsaver plate : 1 = 965 mm, 2 = 1050 mm

### ISO BRACKET MOUNTING



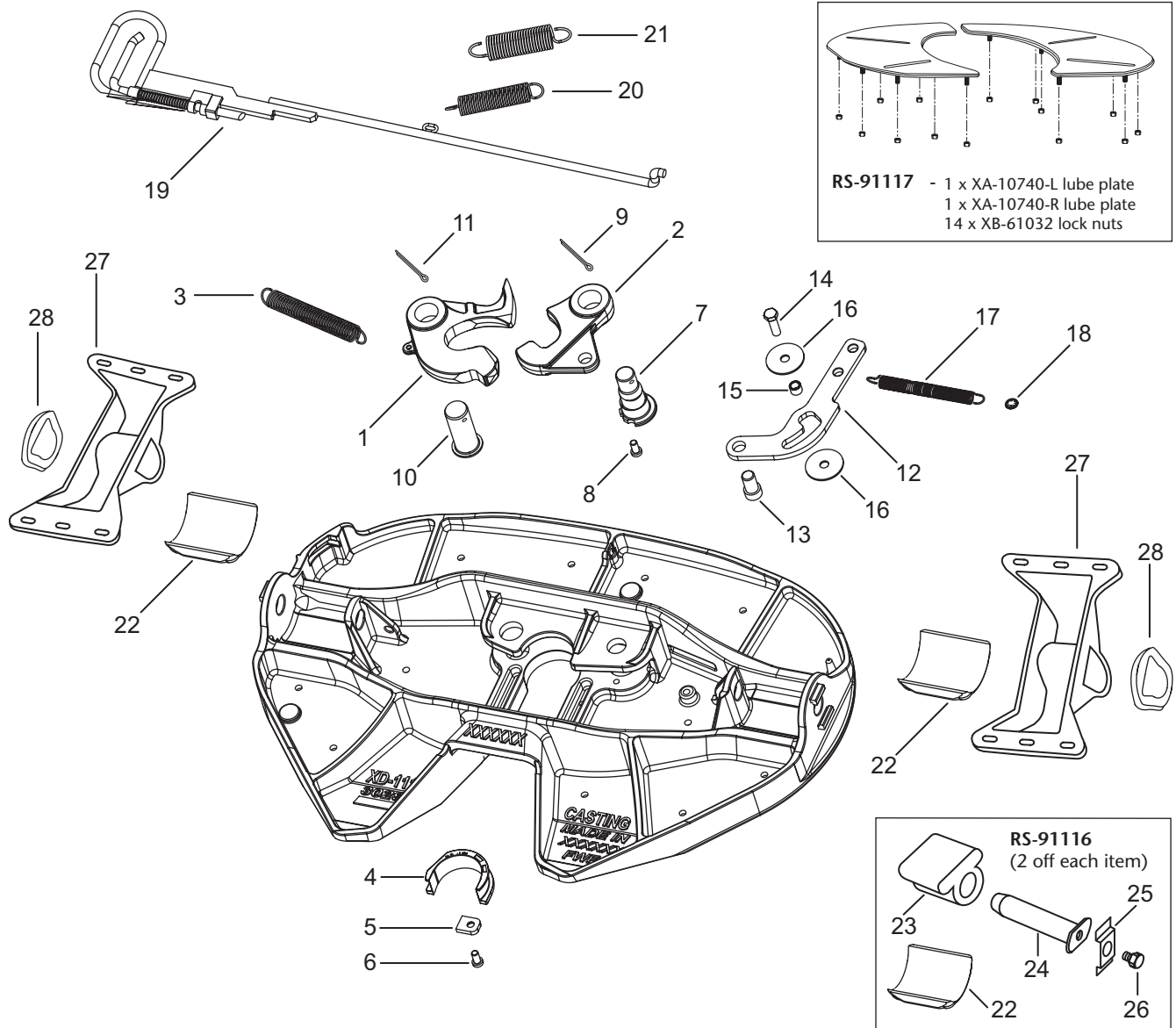
Part Number*	Height	Weight
FW17EK-IS-160	162mm	115 kg
FW17EK-IS-190	192mm	117 kg
FW17EK-IS-215	214mm	119 kg

Lightweight bracket mounting shown



Holland reserves the right, without prior notice, to change specifications and dimensions

# FW17EK NoLube FIFTH WHEEL - SPARE PARTS



Item	Part No.	Qty	Description	Item	Part No.	Qty	Description
1	* ^ XA-10486-E-KTL	1	Lock	16	* XB-10294	2	Washer
2	* ^ XA-10487-KTL	1	Hook	17	* XB-10563-KTL	1	Spring
3	* ^ XB-05843-1-KTL	1	ExtensionSpring	18	* XB-10614	1	Retaining Clip
4	* ^ XD-10680-1-KTL	1	Front Lock Insert	19	* XA-10681-KTL	1	Release Handle
5	* ^ XA-10706-1-KTL	1	Insert Keeper	20	* XB-10489-KTL	1	Spring - Inner
6	* ^ XB-02724-M	1	Keeper Bolt	21	* XB-10490-KTL	1	Spring - Outer
7	* ^ XA-10364-3-KTL	1	Adjuster Pin	22	* XB-10210	2	Pocket Insert
8	* ^ XB-02724-M	1	Location Bolt	23	* XB-0011-3	2	Rubber Cushion
9	* ^ XB-5	1	Cotter Pin	24	* XA-06356-E-KTL	2	Bracket Pin
10	* ^ XA-06344-KTL	1	Lock Pin	25	* XA-10679-KTL	2	Retainer Plate
11	* ^ XB-5	1	Cotter Pin	26	* XB-LHSCS-M12-20-Z	2	Bolt
12	* XA-10483-E1	1	Cam, Release	27	* XD-04942-KTL	2	ISO Bracket - 160mm
13	* XA-10485-1-KTL	1	Pin, Hook		* XD-04943-KTL	2	ISO Bracket - 190mm
14	* XB-HCS-M12-40-Z	1	Bolt		* XD-04944-KTL	2	ISO Bracket - 215mm
15	* XA-10810	1	Bush	28	* XB-60144	2	Rubber Washer
*	RS-91112		Full Overhaul Kit		RS-91116		Cushion Kit
^	RS-91111		Lock Repair Kit		RS-91117		Replacement Pad Set

Copyright © June 2004 • The Holland Group Inc.

**Holland**  
 The Holland Group, Inc.  
 Holland, MI 49423  
 United States  
 Phone: (616) 396-6501  
 Fax: (616) 396-1511

EN ISO  
 9001:2000  
  
 Certified  
 Company

**Holland Europe GmbH**  
 Altenkamp 9  
 D-33758  
 Schloss Holte-Stukenbrock  
 Germany  
 Phone: +49 (0) 5207-89560  
 Fax: +49 (0) 5207-895656

**Holland Eurohitch Ltd.**  
 Hoo Farm Industrial Estate  
 Worcester Road  
 Kidderminster  
 Worcestershire  
 DY11 7RA  
 Phone: +44 (0) 1562-732010  
 Fax: +44 (0) 1562-732020

**Holland Hitch (Aust.) Pty. Ltd.**  
 Melton, Victoria, Australia  
 Phone: 61-(0)3-9743-6799  
 Fax: 61-(0)3-9747-9617

**Holland Transtrade**  
 (Thailand) Company, Ltd.  
 Bangkok, Thailand  
 Phone: 66 (0)2-513-8758  
 Fax: 66 (0)2-513-8757

**Nippon Holland, Ltd.**  
 Tokyo, Japan  
 Phone: 81-(0)3-3461-9130  
 Fax: 81-(0)3-3463-1407

**Holland Transtrade**  
 Far East SDN BHD  
 Shah Alam, Malaysia  
 Phone: 60 (0)3 734-2888  
 Fax: 60 (0)3 736-5588