



# FW3510

## FW3510 SERIES

### SPECIFICATIONS



Fifth Wheel

65000 kg Gross Combination Weight

20000 kg Vertical Load

Type Approval e1\*94/20\*0812

D-Value 150 kN

### FEATURES

- High strength cast steel construction - permitted operating temperature to - 40° C
- Top surface machined to improve wear, steering and fit with Trailer Plate. Patented grease groove pattern for improved wear and durability and prepared for central lubrication system
- Forged alloy steel locks with infinite adjustment
- Operating handle fitted with automatic secondary locking device, eliminating the need for a clip and chain Also available with optional long handle
- Suitable for all types of rear axle steering



**WARNING**

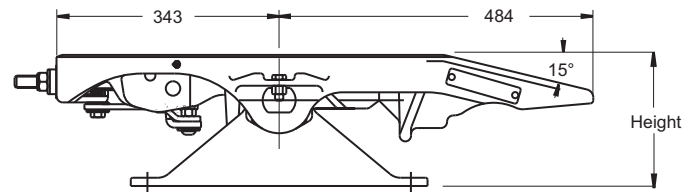
Mounting must be carried out in accordance with Holland instructions



**WARNING**

The load limits given are valid for operation on paved roads and under conditions prevailing in Europe. For alternative conditions please consult Holland Europe

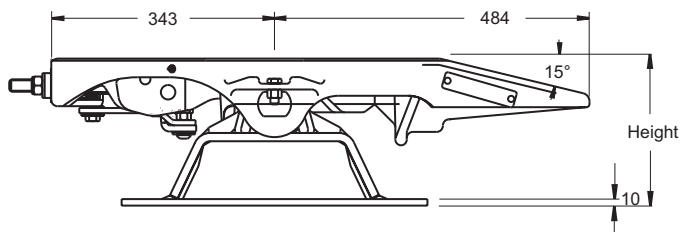
### ISO BRACKET MOUNTING



Part Number	Height	Weight
FW3510-150	150mm	135 kg
FW3510-180	180mm	139 kg
FW3510-200	200mm	142 kg

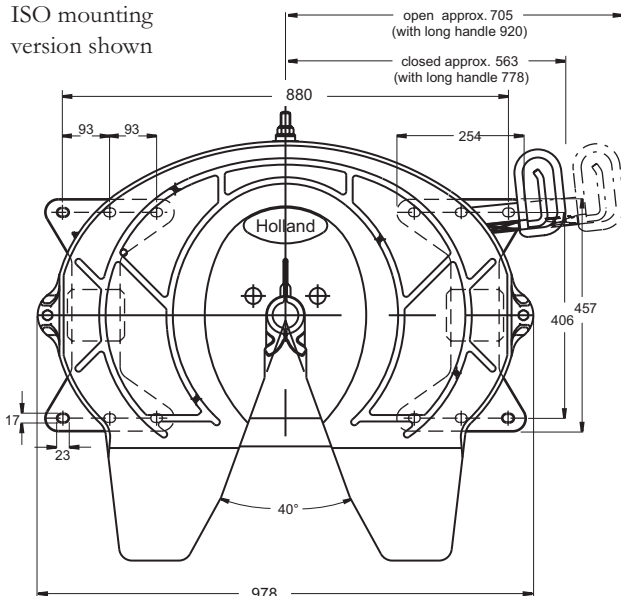
### WEIGHTSAVER MOUNTING

Combined mounting brackets and mounting plate resulting in weight reduction and easier installation



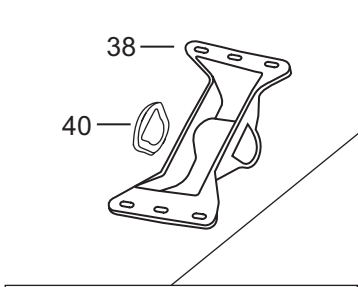
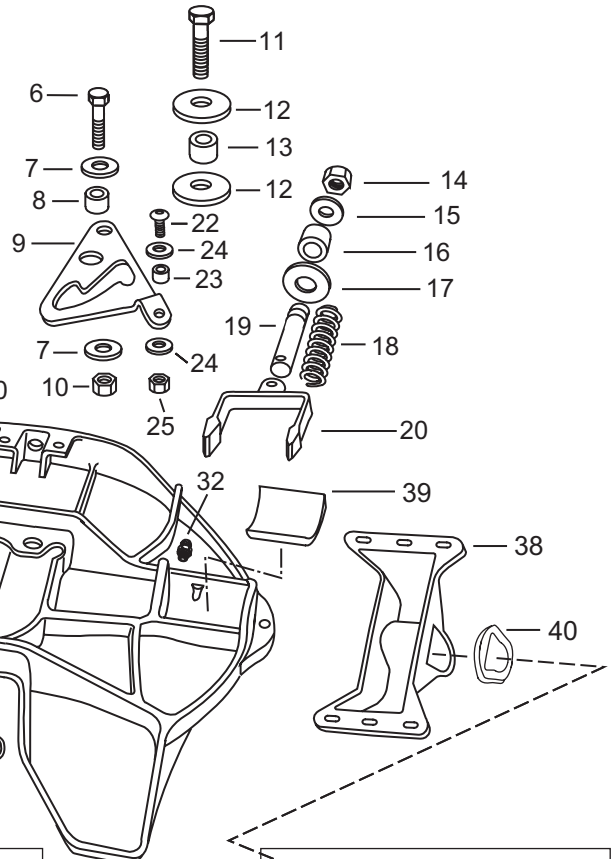
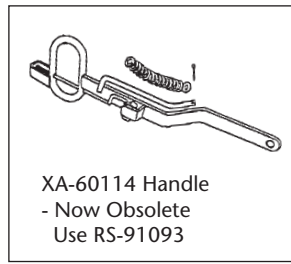
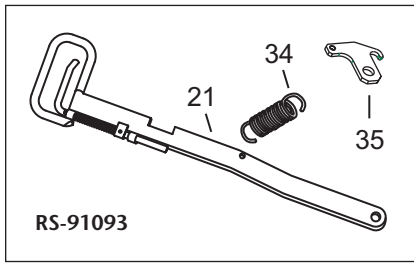
Part Number	Height	Weight
FW3510-140	140mm	158 kg
FW3510-160	160mm	160 kg
FW3510-190	190mm	163 kg
FW3510-230	230mm	166 kg

ISO mounting version shown

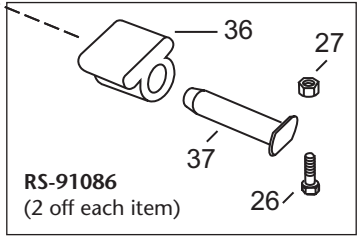
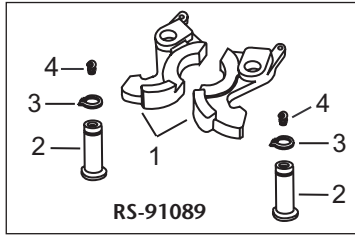
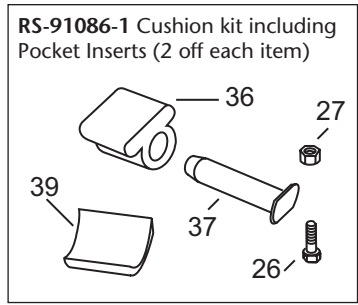


Holland Europe reserves the right, without prior notice, to change specifications and dimensions

# FW3510 FIFTH WHEEL - SPARE PARTS



**POCKET INSERT** - Used on all fifth wheels from February 2002 on  
Note : Grease fitting item 32 not required on units fitted with pocket inserts



Item	Part No.	Qty	Description	Item	Part No.	Qty	Description
1	* XA-07296	1	Lock Jaw Set	22	* 31040	1	Socket Head Screw
2	* XA-07292-82	2	Lock Pin	23	* XA-03082	1	Bushing
3	* 38027	2	Retaining Ring	24	* 33031	2	Washer
4	* 38028	2	Grease Fitting	25	* 32001	1	Lock Nut
5	* XB-07628	1	Extension Spring	26	31041	2	Bolt
6	* 31039	1	Hex Head Cap Screw	27	32001	2	Locknut
7	* XB-76004	2	Washer	28	XA-E-60234	2	Holder
8	* XA-1029	1	Roller	29	* XB-21-S-500-2750	1	Roll Pin
9	* XA-07150-R	1	Camplate	30	* XB-2149	1	Torsion Spring
10	* 32001	1	Locknut	31	* XA-3542-R	1	Secondary Lock
11	* XB-CX-58-F-134	1	Hex Head Cap Screw	32	* 38009	2	Grease Fitting (to Feb. 2002)
12	* XB-07431	2	Washer	33	* XB-07610	1	Tag
13	* XA-1507	1	Roller	34	* XB-05679-2	1	Extension Spring
14	* XB-HNH-34-F	1	Locknut	35	* XA-09645	1	Spring Mount
15	* 33034	1	Washer	36	XB-0011-3	2	Rubber Cushion
16	* XB-1127	1	Rubber Washer	37	XE-06356-1	2	Bracket Pin
17	* XB-02312	1	Lock Adjustment Tag	38	XD-04942	2	ISO Bracket - 150mm
18	* XB-1505	1	Compression Spring		XD-04943	2	ISO Bracket - 180mm
19	* XA-1706	1	Yoke Shaft		XD-04944	2	ISO Bracket - 200mm
20	* XA-07295	1	Yoke	39	XB-10210	2	Pocket Insert (Feb. 2002 on)
21	* XA-09437	1	Standard Handle	40	XB-60144	2	Rubber Washer (Used with ISO brackets only)
22	* XA-09752	1	Optional long Handle				
	* RK-3510-R		Full Overhaul Kit		RS-91093		Handle Kit complete
	RS-91089		Lock Repair kit		RS-91098		Handle Kit complete (Replaces XA-60114 Handle)
	RS-91086		Cushion Kit				
	RS-91086-1		Cushion Kit with Pocket Inserts				

Copyright © May 2002 • The Holland Group Inc.

**Holland**  
The Holland Group, Inc.  
Holland, MI 49423  
United States  
Phone: (616) 396-6501  
Fax: (616) 396-1511

**Holland (Europe) Ltd.**  
314 Oak Drive  
Hartlebury Trading Estate  
Hartlebury  
Worcestershire, DY10 4JB  
United Kingdom  
Phone: +44 (0) 1299-254400  
Fax: +44 (0) 1299-251664



**Holland Europe GmbH**  
Altenkamp 9  
D-33758  
Schloss Holte-Stukenbrock  
Germany  
Phone: +49 (0) 5207-89560  
Fax: +49 (0) 5207-895656



**Holland Hitch (Aust.) Pty. Ltd.**  
Melton, Victoria, Australia  
Phone: 61-(0)3-9743-6799  
Fax: 61-(0)3-9747-9617

**Holland Transtrade**  
(Thailand) Company, Ltd.  
Bangkok, Thailand  
Phone: 66 (0)2-513-8758  
Fax: 66 (0)2-513-8757

**Nippon Holland, Ltd.**  
Tokyo, Japan  
Phone: 81-(0)3-3461-9130  
Fax: 81-(0)3-3463-1407

**Holland Transtrade**  
Far East SDN BHD  
Shah Alam, Malaysia  
Phone: 60 (0)3 734-2888  
Fax: 60 (0)3 736-5588